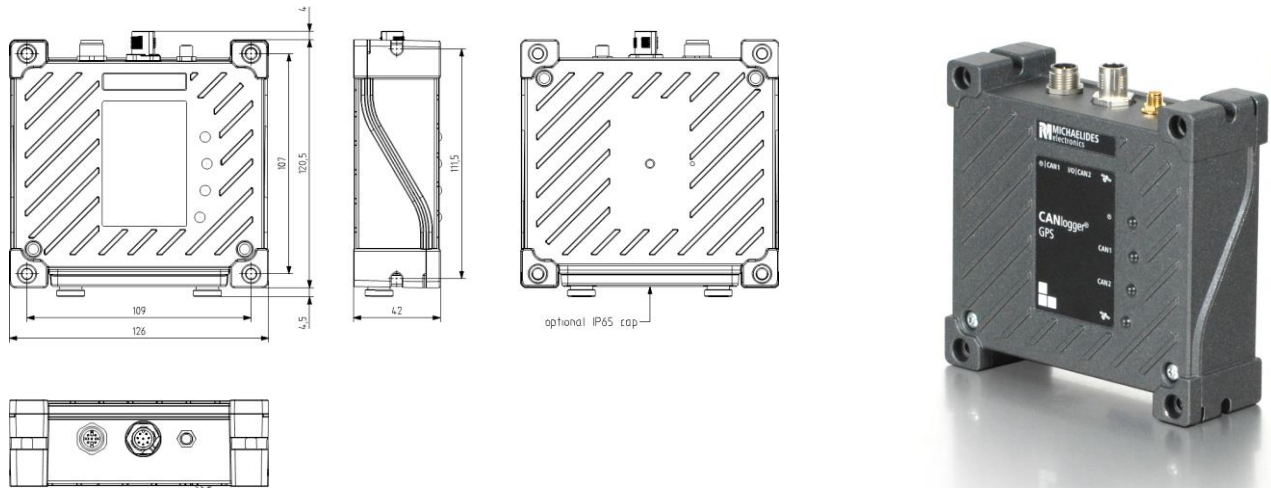


Views



Mechanical Data	5001	5002	5102
Dimensions width / height / depth [mm]	126 / 129 / 42		
Degree of protection	IP 20 (with protection cap: IP 65)		
Temperature range	-30 °C ... +75 °C / -22 °F ... +167 °F		
Weight	510 g		
Electrical Data			
DC power supply	7 V – 32 V		
Power input @ 24 V (sleep mode)	50 mA (< 60 µA)		
Memory: Program / Configuraton / Data	1 MB / 4 MB / 512 kB		
Real-time clock with backup capacitor	✓		GPS-synchronized
Status LEDs (2-colors)	2	3	4
Interfaces / Protocols			
CAN (ISO 11898-2 High Speed, 2.0 A/B)	1	2	
GPS (tracking capability, accuracy, update rate)	-		33 ch, 3 m, 1 Hz
Logging memory interface	SD/SDHC card (up to 32 GB)		
USB, RS232, Acceleration	On request (USB 2.0 B / Rx/D/TxD / 3 axes, ±16 g, 13 Bit)		
CANopen®, Layer 2, J1939	✓		
Customized CAN protocols	On request		
Inputs / Outputs	-	1x D-IN (CL15), 1x A-IN 0...10V (12 Bit) 1x D-OUT (500mA)	
Software			
RMsys Dashboard	✓		
RMsys Converter	✓		
RM System Tools CD	157 002 059		
Accessories / Product number			
CANlogger	253 003 006	253 003 007	253 003 005
CAN cable M12 5-pin / 9-pin D-Sub + power	136 000 028		
CAN cable M12 8-pin / open 5m	136 000 011		
GPS-antenna roof	157 000 020		
SD memory card 2GB (industrial grade)	157 001 009		
Protection cap for SD / USB connectors (IP65)	140 400 021		
DIN rail mounting kit	141 000 010		
Starterkit			
CANlogger 5102 Starter Kit	253 000 111		
Certifications			
CE, FCC	✓		